

RAC

10 Piece Garage Kit RAC-HP096



If faults cannot be remedied, contact the **Helpline** on **020 8391 6767**
helpline@hilka.co.uk

GUARANTEE

This product is guaranteed for domestic use for a period of 12 months against faulty manufacture or materials. This guarantee does not affect the statutory rights of the consumer. In the event of any problem occurring please contact our Helpline at the number above for advice. This product is not guaranteed for **HIRE** purpose.

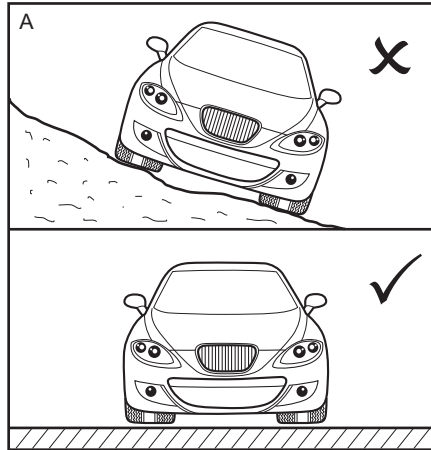
Manufactured under license for Hilka Pro Imports
1 ROEBUCK PLACE, ROEBUCK ROAD, CHESSINGTON, SURREY KT9 1EU

Axle Stands & Wheel Chocks

Safety Instructions and Warnings

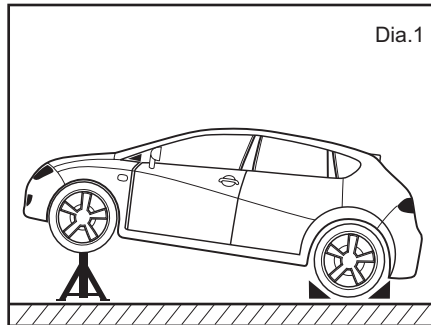
⚠ WARNING

- Study, understand, and follow all the instructions provided prior to operation.
- Always wear safety glasses when using the equipment.
- Use only on hard level surfaces capable of sustaining the load, see illustration "A".
- It is your responsibility to keep the warning labels legible and intact.
- Failure to follow these warnings may result in damage to the axle stands or vehicle and or serious personal injury.
- The owner should retain this manual for future reference to important warnings, operating and maintenance instructions.



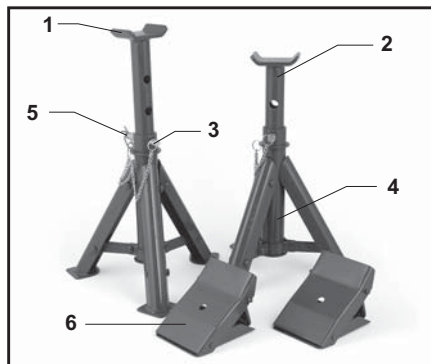
SAFETY INSTRUCTIONS

- Use only as specified by the manufacturer.
- Use no more than a single pair of stands at any time.
- Use only on a hard level surface.
- Place chocks against the wheels in contact with the ground (Dia 1).
- Make sure that each axle stand is securely located under a strong point on the vehicle. Consult the vehicle's handbook for guidance.
- Exercise extra care to maintain balance when using on a three wheeled vehicle or a trailer.



Part List

1. Saddle
2. Upper Column
3. Security Split Pin
4. Lower Column
5. Locating Pin
6. Wheel Chocks



Axle Stands & Wheel Chocks

Operating and Maintenance

To Support A Vehicle

- Pull the upper column out from the lower column.
- Insert the locating pin into a suitable hole on the upper column.
- Secure the locating pin by inserting the split pin into it (Dia 2).
- Carefully position so that the vehicle support point sits centrally on the axle stand saddle.
- Always use jack stands in pairs. Please consult the vehicle owners handbook for recommended support points.

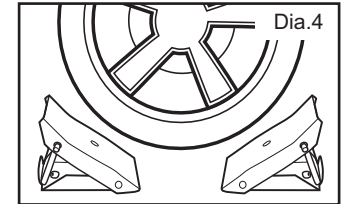
Note: The rated load of 2000Kg per pair must not be exceeded under any circumstances!

WARNING: To avoid injury, never work on, under or around a vehicle supported only by a jack. Always use adequately rated axle stands.

Using The Wheel Chocks

- Unfold and pull out support bar until it locates on the base plate stop point (Dia 3).
- Always use wheel chocks in pairs (Dia 4). If more than one wheel is to be secured, use an additional pair of chocks.
- Position the wheel chocks so each is centred on the tread of the tyre. Off centre positioning could cause instability.

WARNING: The wheel chocks are designed to be used only on hard level surfaces. Do not attempt to raise vehicle by driving onto the wheel chocks. Failure to heed these warnings could result in personal injury or damage to the vehicle. This product is intended to be used on cars, vans or light trucks only. Inspect before each use as bent, broken or cracked components should be repaired or replaced.



Maintenance

Axle Stands
Periodically inspect the axle stands for corrosion or damage. Clean with a dry clean cloth. Add light lubricating oil to the pivot points to help prevent rust and assure the axle stands move freely. If there are any signs of rust or corrosion sand down the affected area and cover with a suitable utility paint.

Chocks

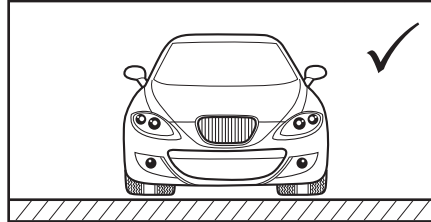
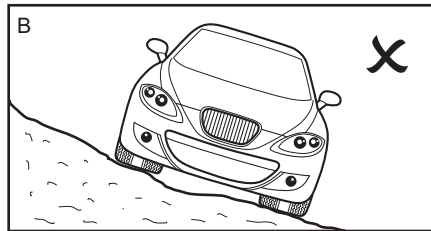
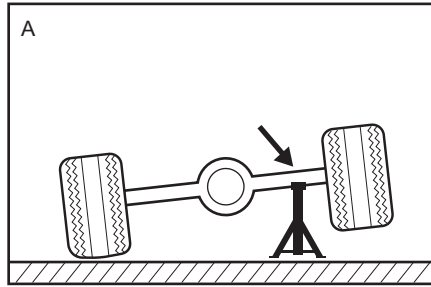
Wipe chocks with a dry clean cloth.

**Important Notes: Axle Stand - Safe Working Load is 2000kg/Pair
Axle Stand - Conforms to BS Au 223a: 1995**

Trolley Jack

⚠ WARNING

- This is a lifting device only. The load must be supported by other appropriate means. See illustration "A".
- Do not move or dolly the load whilst on the jack.
- Do not operate the jack with passengers in the vehicle or leaning against it.
- Do not exceed the rated load.
- Do not use any type of extension device without authorisation by qualified personnel.
- Always wear safety glasses when using the equipment.
- Use only on hard level surfaces capable of sustaining the load, see illustration "B".
- Make sure that the lift point is stable and properly centred on the jack saddle.
- It is your responsibility to keep the warning labels legible and intact.
- Study, understand, and follow all the instructions provided prior to operation.
- Failure to follow these warnings may result in damage to the jack, or vehicle and or serious personal injury.
- The owner should retain this manual for future reference to important warnings, operating and maintenance instructions.



Trolley Jack

Instructions Before Use

1. CHECK OIL LEVEL

With the jack in a upright position and the hydraulic ram completely retracted, open the release valve by turning counterclockwise. Remove the oil filler plug, and check the oil level.

Please see illustration "C". Top up necessary with a reliable grade of hydraulic jack oil. Do not use brake fluid or motor oil! Replace oil filler plug.

2. LUBRICATING INTERNAL COMPONENTS

With release valve open, pump the handle several times to assure proper internal lubrication.

3. BLEEDING THE HYDRAULIC SYSTEM

During transportation hydraulic jacks may have air ingress causing a spongy ram action. To bleed the hydraulic system, close the release valve by turning clockwise. Insert handle in socket and pump jack up to full height. Open the release valve and push the saddle down to force the ram to fully retract.

OPERATING INSTRUCTIONS

1. LIFTING

If raising a vehicle, be sure to apply the parking/hand brake and chock the wheels. Please see illustration "D". Turn the release knob clockwise to close the release valve. Please see illustration "E". Position the jack under a vehicle lifting point. Consult the vehicle handbook for guidance. Be sure that the load is centred on the jack saddle. Operate the jack by pumping the handle.

2. LOWERING

Open the release valve by SLOWLY turning counterclockwise in 1/2 turns. Please see illustration "F". Wait until the saddle reaches its lowest, then move the jack from under the vehicle.

WARNING

Do not attempt to adjust the safety valve setting. It is factory set and must not be altered.

Your guarantee is void if the safety valve is adjusted in any way.

