

# RAC

---

## 13 Drawer Mechanics Tool Chest & Cabinet

RAC-HP084



If faults cannot be remedied, contact the **Helpline** on **020 8391 6767**  
**helpline@hilka.co.uk**

### **GUARANTEE**

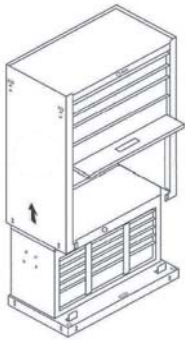
This product is guaranteed for domestic use for a period of 12 months against faulty manufacture or materials. This guarantee does not affect the statutory rights of the consumer. If in the event of any problem occurring please contact our Helpline at the number above for advice. This product is not guaranteed for **HIRE** purposes.

**Manufactured under license by Hilka Pro Imports**

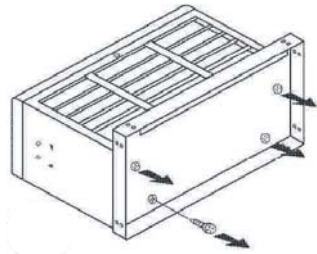
**1 ROEBUCK PLACE, ROEBUCK ROAD, CHESSINGTON, SURREY KT9 1EU**

**1**

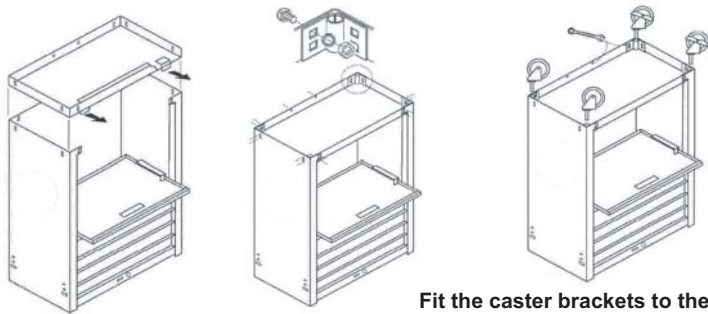
The tool chest is stored inside the cabinet section for transit purposes. Unscrew the base from the cabinet to remove the tool chest

**2**

Remove the cabinet base from the tool chest

**3**

### BASE AND CASTOR ASSEMBLY



Carefully lay the cabinet on its top and refit base.

Fit the castor brackets to the base of the cabinet with nuts & bolts supplied. Then insert castors (Tools not included for assembly).

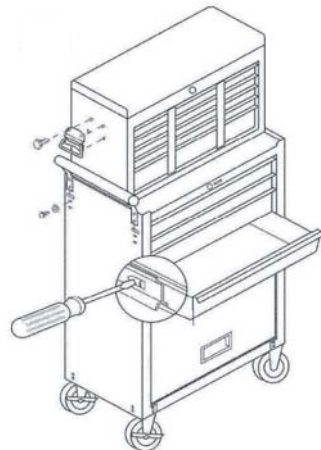
**4**

### DRAWER REMOVAL

- Pull the drawer all the way open, then push it back to align the slide stop with opening.
- Push the slide stop in with a screwdriver as shown until the slide stop clears the stop on the drawer glide
- Repeat (b) for the other side and remove the drawer.

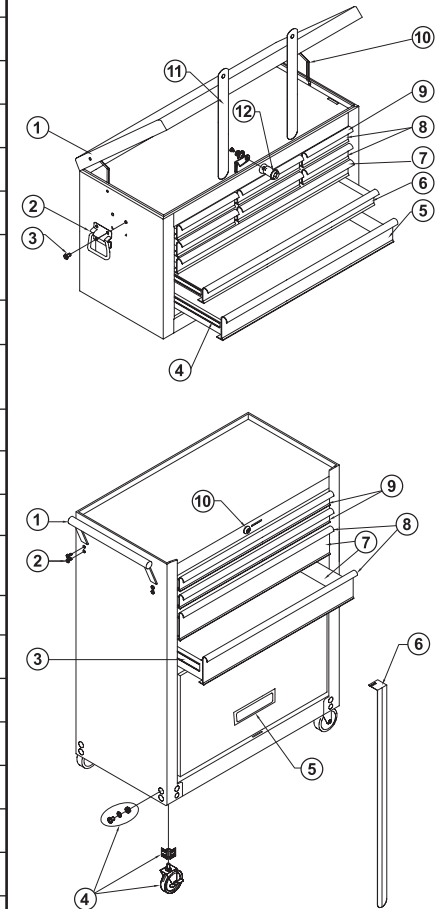
To reinstall drawer  
Prise out the slide stop (approx. ¼"), and slide the drawer channels back onto the glides.

Firmly push drawer in until it reaches the closed position.



## Components

PARTS NO.	DESCRIPTION	QUANTITY
<b>Tool chest components</b>		
1.	LID	1 PC
2.	SIDE HANDLE	2 PCS
3.	BOLT	8 PCS
4.	FRICTION SLIDE	18 PCS
5.	LARGE DRAWER	1 PC
6.	MEDIUM DRAWER	2 PCS
7.	PLASTIC DRAWER PULL (LONGER)	3 PC
8.	SMALL DRAWER	6 PCS
9.	PLASTIC DRAWER PULL (SHORTER)	6 PCS
10.	LID SUPPORT	1 PAIR
11.	LOCK BAR	2 PCS
12.	LOCK & KEYS	1 SET
<b>Cabinet components</b>		
1.	TUBE HANDLE	1 PC
2.	BOLT & WASHER	4 PCS
3.	FRICTION SLIDE	8 PCS
4.	CASTOR PACK	1 PACK
5.	PLASTIC HANDLE	1 PC
6.	LOCK BAR	1 PC
7.	BIG DRAWER	2 PCS
8.	PLASTIC DRAWER PULL	4 PCS
9.	SMALL DRAWER	2 PCS
10.	LOCK & KEYS	1 SET



### MAINTENANCE

Drawer slides and castors should be lubricated periodically with general purpose oil. Check all screws, nuts and bolts periodically for tightness to maintain trouble free operation.

### Safety Instructions

When moving the tool cabinet, ensure all drawers are closed for safety reasons. Lock the castor when in position to stop unwanted movement during use. Open one drawer at a time to avoid any possibility of tipping.