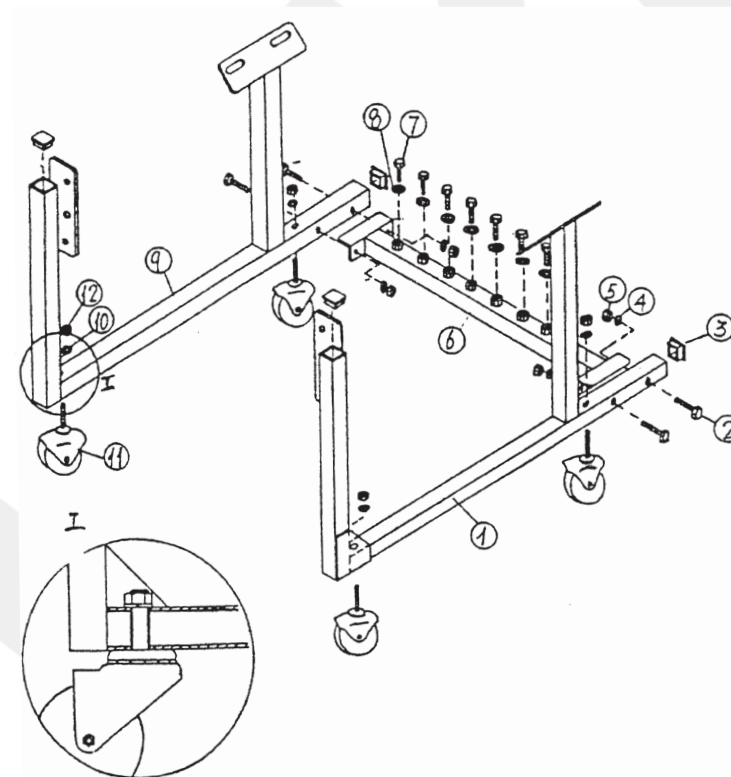


82950450

Hilka

WHEEL MOUNTED ENGINE CRADLE CAPACITY: 200KG



Hilka

Hilka Tools (UK) Ltd t. 0208 391 7570
Roebuck Road f. 0208 391 7575
Chessington e. sales@hilka.co.uk
KT9 1EU w. www.hilka.co.uk

ASSEMBLY AND SAFETY INFORMATION

PLEASE RETAIN THIS LEAFLET
FOR FUTURE REFERENCE

Safety Information



Do not overload engine cradle beyond rated capacity. Overloading can cause damage or failure of the engine cradle.



Always use cradle on hard, level surface capable of sustaining the engine. Use cradle on other than hard level surfaces can result in cradle instability and possible damage to engine.



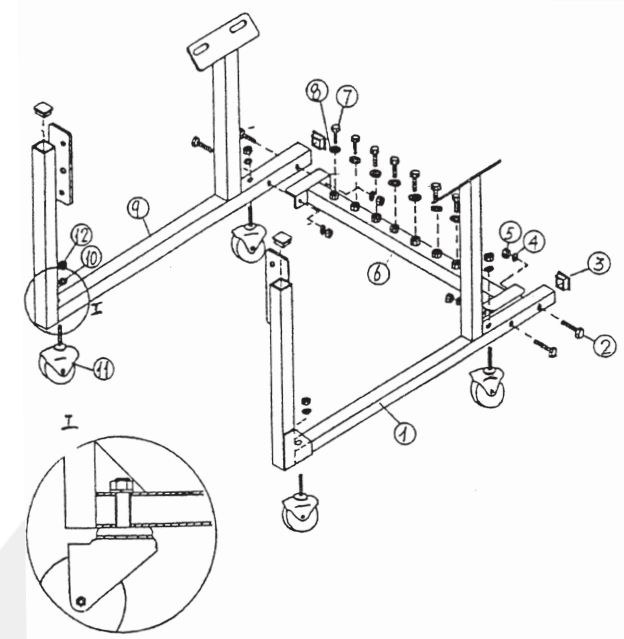
Always carefully check the parts have not been damaged in transit. If any components become damaged or worn do not continue to use the cradle.

Assembly

Note:

- 1: Product comes with castors fitted. If removed, they can be re-attached by 3" castor (11) to frame (1,9) using flat washers (10) and nuts (12).
- 2: Attach cross bar (6) to left frame (9) and right frame (1) using bolts (2), lock washers (4) and nuts (5).
- 3: When repairing engine, take off flat washers (8) and bolts (7) from cross bar (6) and fix the engine in proper place.

Parts Guide



Parts list

No	Description	QTY	No	Description	QTY
01	Right Frame	1	07	Bolt 3/8"x16x3/4"	8
02	Bolt M6x40	4	08	Flat Washer	8
03	Plastic Cap	1	09	Left Frame	1
04	Lock Washer Ø6	4	10	Lock Washer Ø12	4
05	Nut M6	4	11	3" Castor	4
06	Cross Bar	1	12	Nut M12	4