

# Hilka

## OPERATOR'S INSTRUCTIONS FOR PROFESSIONAL SERIES

PTC-105 / PTC-106 / PTC-109 / PMT-112  
Part No: 53802 / 82809 / 83310 / 53085

### CAUTION

Read and follow all Safety Rules and User Instruction before first use of this product.  
Retain this document for further reference.

### SAFETY INSTRUCTIONS

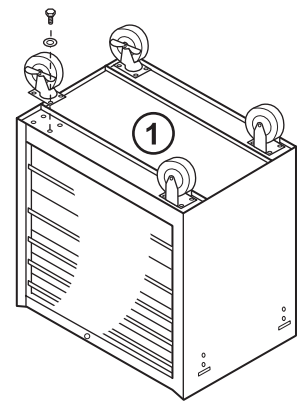
- \* Do not stand on this product.
- \* Do not mount this product on a truck bed or any other moving object.
- \* Be careful when opening more than one drawer. The product could become unstable and tip.
- \* Close and lock all drawers before moving this product.
- \* Keep the product on a level surface. The product may become unstable and tip if stored or moved on an un-level surface, and may cause personal injury or product damage.
- \* Use the brakes when not moving the cabinet.

### ASSEMBLY

#### 1. CASTER INSTALLING (see figure ①)

Assemble the casters to the bottom using (4 ea.) bolts and spacers.  
(Some models do not require spacers)

Note: Swivel casters should be mounted on the same side as the handle.

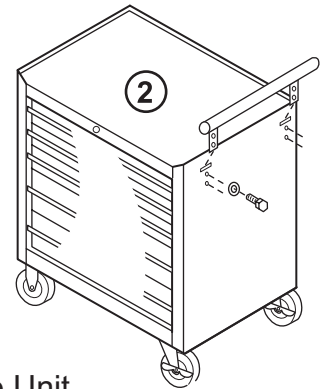


#### 2. HANDLE INSTALLING

To remove a drawer with roller slides

Pull the right tab, pull drawer off slides. To reinstall the drawer, realign with the internal drawer slide and push in until locked in place.

(see figure ②)



#### 3. REMOVING AND INSTALLING DRAWERS

Drawers can be removed following these easy steps: (see figure ③)

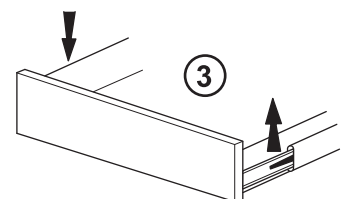
A. Press lever on left side of drawer DOWN ↓

Press lever on right side of drawer UP ↑

B. With levers pressed as described in step 1, pull drawer from Tool Storage Unit.

C. When replacing drawer, be sure to fully close to re-set the levers.

D. The Ball Bearing Drawer Slides can be easily lubricated, if necessary, by spraying lubricant, such as white lithium grease, into openings, as indicated below.



### MAINTENANCE

Periodically tighten all hardware.

Periodically lubricate casters.

Lubricate the slides twice a year.

Lubricate the lock with graphite annually.

If faults cannot be remedied, contact the Helpline on 020 8391 6767  
helpline@hilka.co.uk

Hilka Tools UK Ltd.  
1 ROEBUCK PLACE, ROEBUCK ROAD, CHESSINGTON, SURREY KT9 1 EU

PTC-105 PTC-106 PTC-109 PMT-112 Issue 1 - 28-09-07