

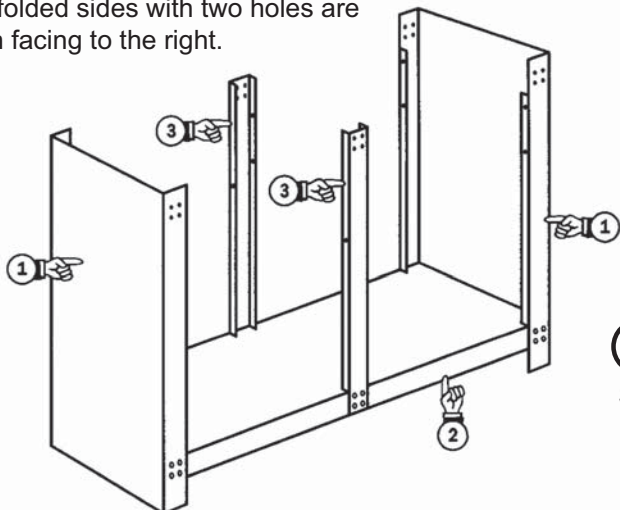
WORKBENCH

Instructions For Unit Assembly

TB-51077

Please read your instructions before assembly

- 1** Attach the End Panels (1) to the Bottom Shelf (2) using four Nuts and Bolts at each join. Attach the Vertical Upright Bars (3) to the Bottom Shelf (2) using four Nuts and Bolts at each join. Make sure the folded sides with two holes are both facing to the right.



PARTS INVENTORY CHECKLIST

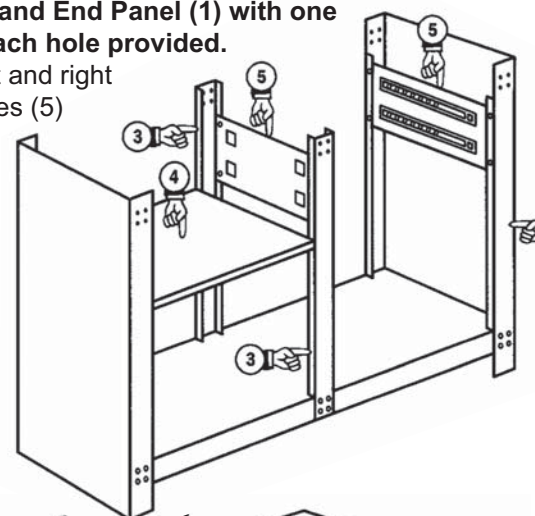
1	End Panels	QTY	2
2	Bottom Shelf	QTY	1
3	Vertical Upright Bars	QTY	2
4	Small Middle Shelf	QTY	1
5	Drawer Slide Plates	QTY	2
6	Bench Support Bars	QTY	2
7	Drawers	QTY	2
8	Bench Top	QTY	1
9	Bag of Nuts and Bolts	QTY	1

TOOLS FOR THE JOB

Screw Driver and Adjustable Spanner

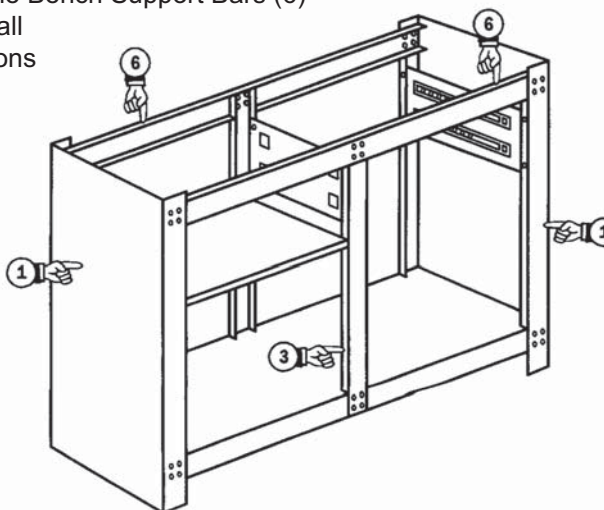
- 2** Fit the Small Middle Shelf (4) on the left side with one Nut and Bolt in each hole provided. Attached the Drawer Slide Plates (5) on the inside of the folds of the Vertical Upright Bars (3) and End Panel (1) with one Nut and Bolt in each hole provided.

Make sure the left and right Drawer Slide Plates (5) are fitted to the correct side as labelled.

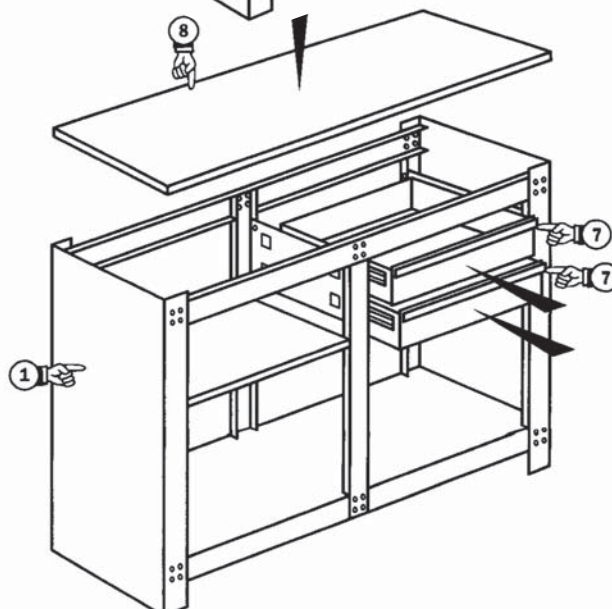


- 3** Attach the Bench Support Bars (6) to the End Panels (1) and to the Vertical Upright Bars (3) using four Nuts and Bolts at each join.

Make sure the Bench Support Bars (6) have the small cut out sections facing down.



- 4** Slide in each Drawer (7) by aligning with the Drawer Slide Plates and push in until locked in place. To fully remove a Drawer, press down left tab and lift up right tab, then pull Drawer off the slides. Lower the Bench Top (8) into position between End Panels (1).



If faults cannot be remedied, contact the Helpline on 020 8391 6767
helpline@hilka.co.uk

Hilka Tools UK Ltd.

1 ROEBUCK PLACE, ROEBUCK ROAD, CHESSINGTON, SURREY KT9 1 EU

TB-51077 Issue 1 - 28-09-07