

Hilka

OPERATOR'S INSTRUCTIONS FOR HOME OWNER SERIES

C-314 / G-301C9 / G-301T7

Part No: 25325 / 34056 / 34581

CAUTION

Read and follow all Safety Rules and User Instruction before first use of this product.
Retain this document for further reference.

SAFETY INSTRUCTIONS

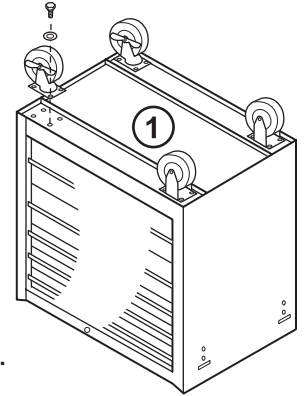
- * Do not stand on this product.
- * Do not mount this product on a truck bed or any other moving object.
- * Be careful when opening more than one drawer. The product could become unstable and tip.
- * Close and lock all drawers before moving this product.
- * Keep the product on a level surface. The product may become unstable and tip if stored or moved on an un-level surface, and may cause personal injury or product damage.
- * Use the brakes when not moving the cabinet.

ASSEMBLY

1. CASTER INSTALLING

Assemble the casters to the bottom using (4 ea.) bolt. (see figure ①)

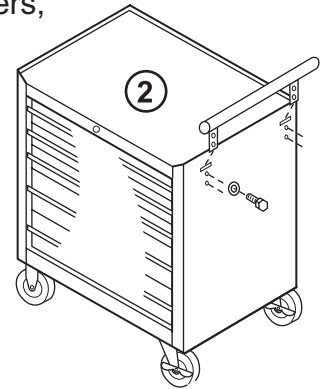
Note: Swivel casters should be mounted on the same side as the handle.



2. HANDLE INSTALLING (see figure ②)

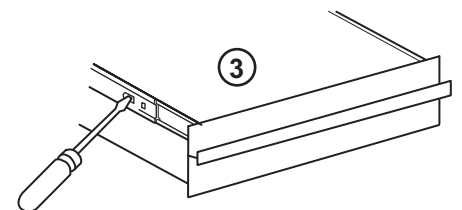
Insert the side handle into the cabinet and attach with (4) bolts and washers,

Note: The side handle should be mounted on the same side as the swivel casters.



3. REMOVING AND INSTALLING DRAWERS

- Pull the drawer all the way open then push it back to align lance stop with the opening.
- Push the lance stop in with screwdriver as shown until Lance stop clears the Stop on the drawer guide.
- Repeat on other side and remove drawer. (See figure ③)
- To reinstall the drawer, pry out the lance stop (approx. 1/4") and slide the drawer channels back onto glides.
Firmly push the drawer until it reaches the closed position.



MAINTENANCE

Periodically tighten all hardware.

Periodically lubricate casters.

Lubricate the slides twice a year.

Lubricate the lock with graphite annually.

If faults cannot be remedied, contact the Helpline on 020 8391 6767
helpline@hilka.co.uk

Hilka Tools UK Ltd.
1 ROEBUCK PLACE, ROEBUCK ROAD, CHESSINGTON, SURREY KT9 1 EU