

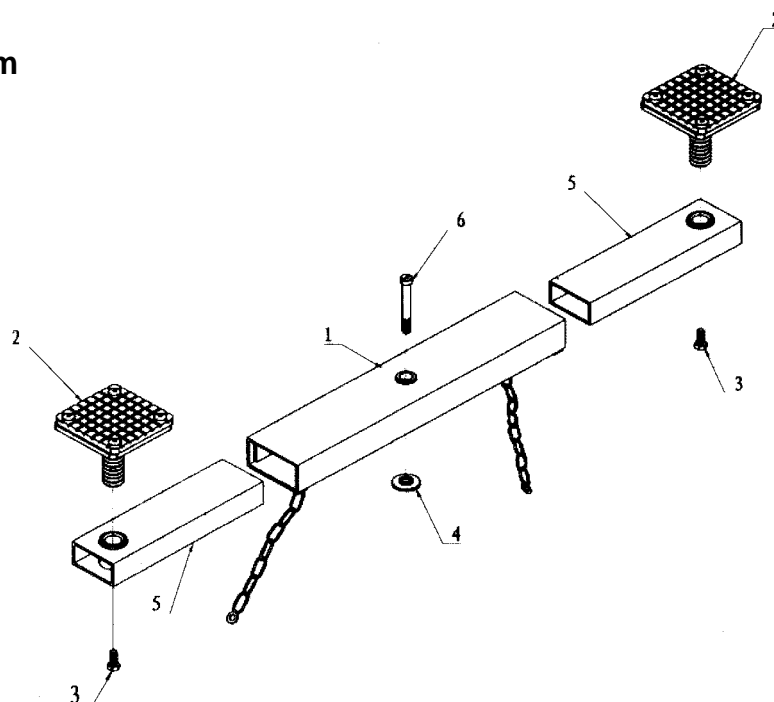
2 Ton Cross Beam Adaptor

Always ensure safe working conditions. Before use, make sure that the vehicle is properly secured and that the handbrake is applied. Wheels must be chocked. Always use rigid mechanical supports to secure vehicle-such as axle stands-never attempt work under a vehicle which is held solely by a hydraulic jack or similar. Take care and use common sense.

Operating instructions:

1. This cross beam is adapted to floor trolley jacks only.
2. ATTENTION: Do not put the movable beam (5) in the cross beam (1) upside down. Always place the support panels facing upwards as shown in the diagram opposite. (Note: for ease of storage within the packaging, one support panel (2) is inserted upside down. Remove this panel and place it into the movable arm in the upward position.) Ensure all parts are in working order.
3. Fix movable beams (5) by chains. Do not dismantle
4. Raise the jack so access to the underside can be achieved. (Remove the cup from the jack). Place the cross beam adaptor (1) onto the trolley jack and ensure that it is a good fit.
5. Fix the cross beam adaptor by means of the bolt through the centre and the nut.
6. Movable beams (2) should be extended to same distance. Any misuse may lead to loss of balance.

Parts diagram



Max capacity: 2 ton (with arms closed), 600kg with arms fully extended-do not overload!

Part No.	Description	Qty	Part No.	Description	Qty
1	Cross beam	1	4	Securing nut M12	1
2	Support panel	2	5	Movable beam	2
3	Bolt M10 x 25	2	6	Bolt M12	2